



Producer: **Danfoss**  
 Line: **SH**  
 Model: **SH240-4**  
 Cooling capacity [kW]: **32.79**  
 Displacement [m<sup>3</sup>/h]: **39.6**  
 Refrigerant: **R410A**  
 Capacity control: **None**  
 Power supply: **400V/3Ph/50Hz**

## Data

### Technical data

Displacement	[m <sup>3</sup> /h]	39.6
Swept volume	[cm <sup>3</sup> ]	227.60
Oil charge	[l]	6.70
Oil type		POE 160SZ
Internal free volume (suction)	[dm <sup>3</sup> ]	28.5
Internal free volume (discharge)	[dm <sup>3</sup> ]	2.5
Net weight	[kg]	107.00
Gross weight	[kg]	112.35

### Electrical data

Power supply		400V/3Ph/50Hz
Locked rotor amperage	[A]	215.0
Revolutions per minute	[RPM]	2900
Motor resistance main	[Ω]	0.62

### Limits

Maximum suction pressure	[bar]	48.7
Maximum discharge pressure	[bar]	31.1
Maximum suction temperature	[°C]	52.0
Minimum suction temperature	[°C]	-35.0
Maximum discharge temperature	[°C]	150.0
Minimal discharge temperature	[°C]	-35.0

### Dimensions

Suction tube diameter	[inch]	1 5/8
Discharge tube diameter	[inch]	1 1/8
Diameter	[mm]	318
Height	[mm]	683
Oil equalization		2 1/4" Rolotock
Oil drain		1/4" Flare

## Other

---

Product codes	120H0291, 120H0292, 120H0299, 120H0300
Approved refrigerants	R410A
Capacity control	None
Protection rating <sup>1</sup>	IP54
Glass mounting	Threaded

## Shipped equipment

---

Motor protection <sup>2</sup>	Electronic protection module, 24 V AC, Electronic protection module, 110 / 240 V
Shipped mounting	Mounting kit with rigid grommets, bolts, nuts, sleeves and washers
Shipped modules	Electronic protection module mounted in terminal box

<sup>1</sup> With cable gland.

<sup>2</sup> Depends on product version.

## Performance

Nominal conditions: refrigerant: R410A, evaporation: -10°C (dew point), condensation: 45°C (dew point), superheating: 10K, subcooling: 0°C

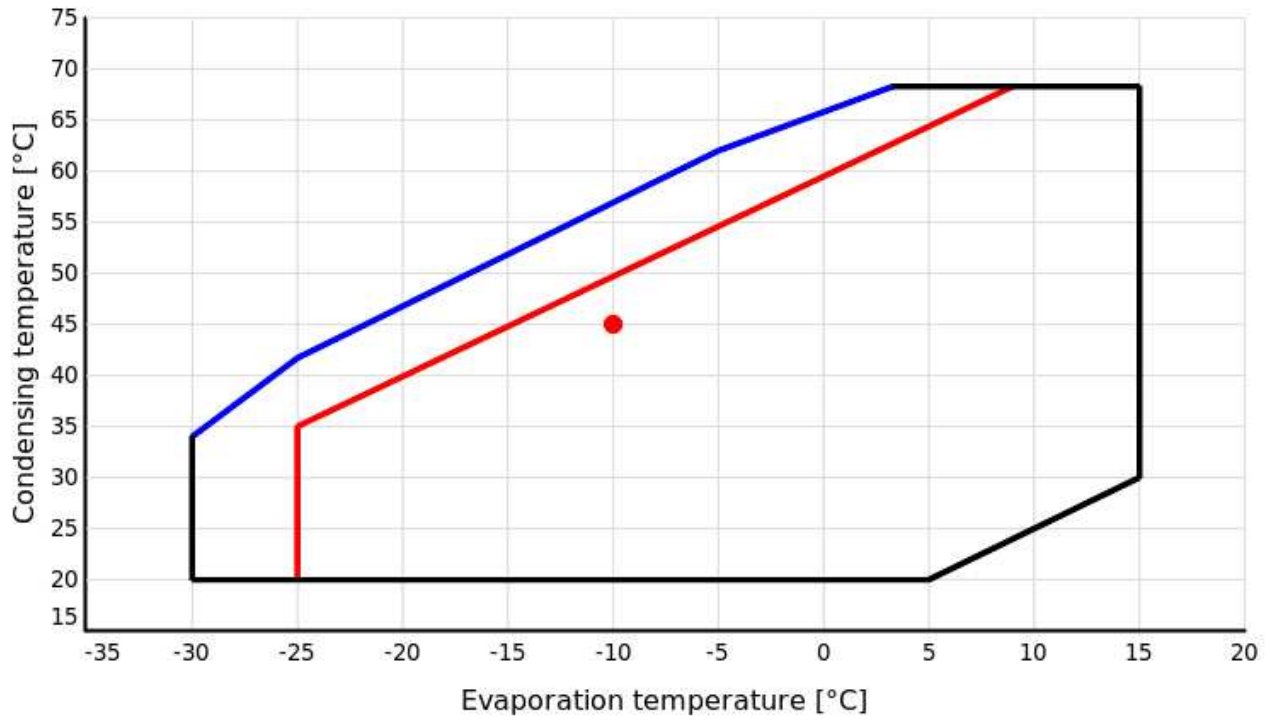
### Cooling capacity

		Evaporation temperature [°C]									
		-30	-25	-20	-15	-10	-5	0	5	10	15
Condensation temperature [°C]	20	18.75	23.55	29.22	35.87	43.63	52.61	62.92	74.69		
	25	17.43	22.17	27.72	34.20	41.71	50.38	60.33	71.66	84.51	
	30	16.12	20.78	26.18	32.45	39.69	48.02	57.56	68.44	80.75	94.64
	35		19.35	24.58	30.60	37.54	45.50	54.61	64.99	76.75	90.01
	40		17.87	22.89	28.64	35.24	42.81	51.46	61.32	72.49	85.10
	45			21.10	26.55	<b>32.79</b>	39.93	48.09	57.39	67.94	79.87
	50				24.31	30.15	36.83	44.47	53.19	63.09	74.31
	55					27.32	33.51	40.60	48.70	57.93	68.40
	60						29.94	36.45	43.91	52.42	62.13
	65								38.79	46.57	55.47


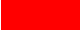
### Power consumption

		Evaporation temperature [°C]									
		-30	-25	-20	-15	-10	-5	0	5	10	15
Condensation temperature [°C]	20	8.52	8.59	8.64	8.68	8.74	8.82	8.96	9.16		
	25	9.49	9.58	9.64	9.68	9.73	9.80	9.91	10.07	10.30	
	30	10.55	10.66	10.74	10.79	10.83	10.89	10.97	11.10	11.29	11.56
	35		11.86	11.95	12.02	12.06	12.11	12.17	12.27	12.43	12.65
	40		13.18	13.30	13.38	13.44	13.48	13.53	13.61	13.73	13.90
	45			14.80	14.90	<b>14.97</b>	15.02	15.06	15.12	15.21	15.34
	50				16.59	16.68	16.73	16.77	16.82	16.88	16.99
	55					18.57	18.64	18.69	18.72	18.77	18.85
	60						20.77	20.82	20.85	20.89	20.95
	65								23.22	23.25	23.29

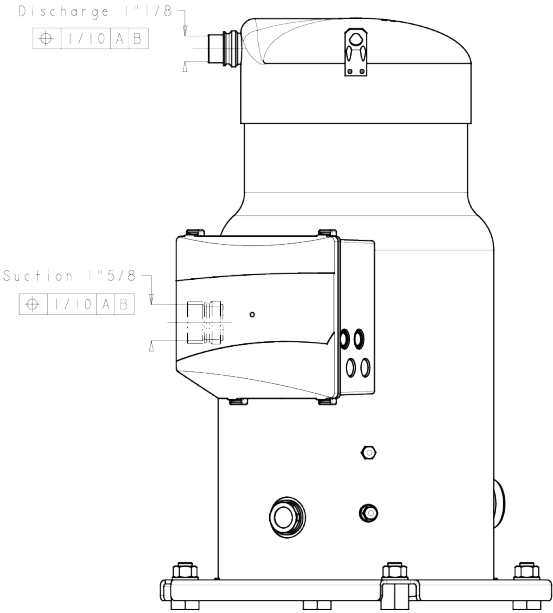
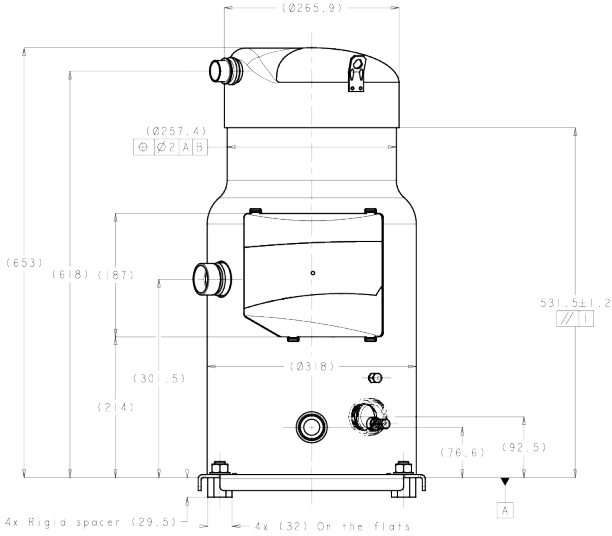
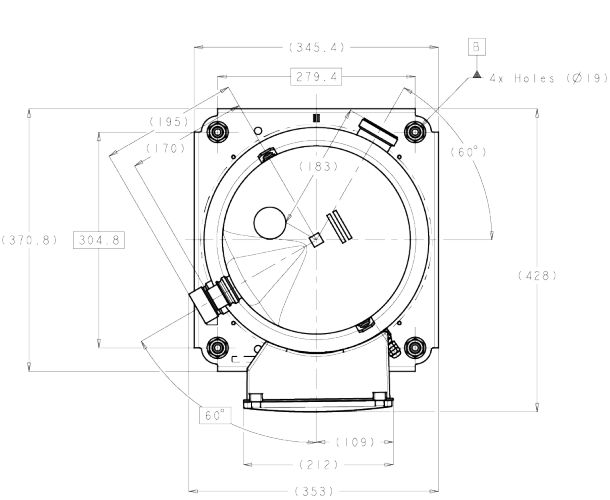
Application range



Legend

-  Suction gas superheating: 5 K
-  Suction gas superheating: 30 K

**Dimensions**





Producer: **Danfoss**  
 Line: **SH**  
 Model: **SH240-4**  
 Cooling capacity [kW]: **32.79**  
 Displacement [m<sup>3</sup>/h]: **39.6**  
 Refrigerant: **R410A**  
 Capacity control: **None**  
 Power supply: **400V/3Ph/50Hz**

## Data

### Technical data

Displacement	[m <sup>3</sup> /h]	39.6
Swept volume	[cm <sup>3</sup> ]	227.60
Oil charge	[l]	6.70
Oil type		POE 160SZ
Internal free volume (suction)	[dm <sup>3</sup> ]	28.5
Internal free volume (discharge)	[dm <sup>3</sup> ]	2.5
Net weight	[kg]	107.00
Gross weight	[kg]	112.35

### Electrical data

Power supply		400V/3Ph/50Hz
Locked rotor amperage	[A]	215.0
Revolutions per minute	[RPM]	2900
Motor resistance main	[Ω]	0.62

### Limits

Maximum suction pressure	[bar]	48.7
Maximum discharge pressure	[bar]	31.1
Maximum suction temperature	[°C]	52.0
Minimum suction temperature	[°C]	-35.0
Maximum discharge temperature	[°C]	150.0
Minimal discharge temperature	[°C]	-35.0

### Dimensions

Suction tube diameter	[inch]	1 5/8
Discharge tube diameter	[inch]	1 1/8
Diameter	[mm]	318
Height	[mm]	683
Oil equalization		2 1/4" Rolotock
Oil drain		1/4" Flare

## Other

---

Product codes	120H0291, 120H0292, 120H0299, 120H0300
Approved refrigerants	R410A
Capacity control	None
Protection rating <sup>1</sup>	IP54
Glass mounting	Threaded

## Shipped equipment

---

Motor protection <sup>2</sup>	Electronic protection module, 24 V AC, Electronic protection module, 110 / 240 V
Shipped mounting	Mounting kit with rigid grommets, bolts, nuts, sleeves and washers
Shipped modules	Electronic protection module mounted in terminal box

<sup>1</sup> With cable gland.

<sup>2</sup> Depends on product version.

## Performance

Nominal conditions: refrigerant: R410A, evaporation: -10°C (dew point), condensation: 45°C (dew point), superheating: 10K, subcooling: 0°C

### Cooling capacity

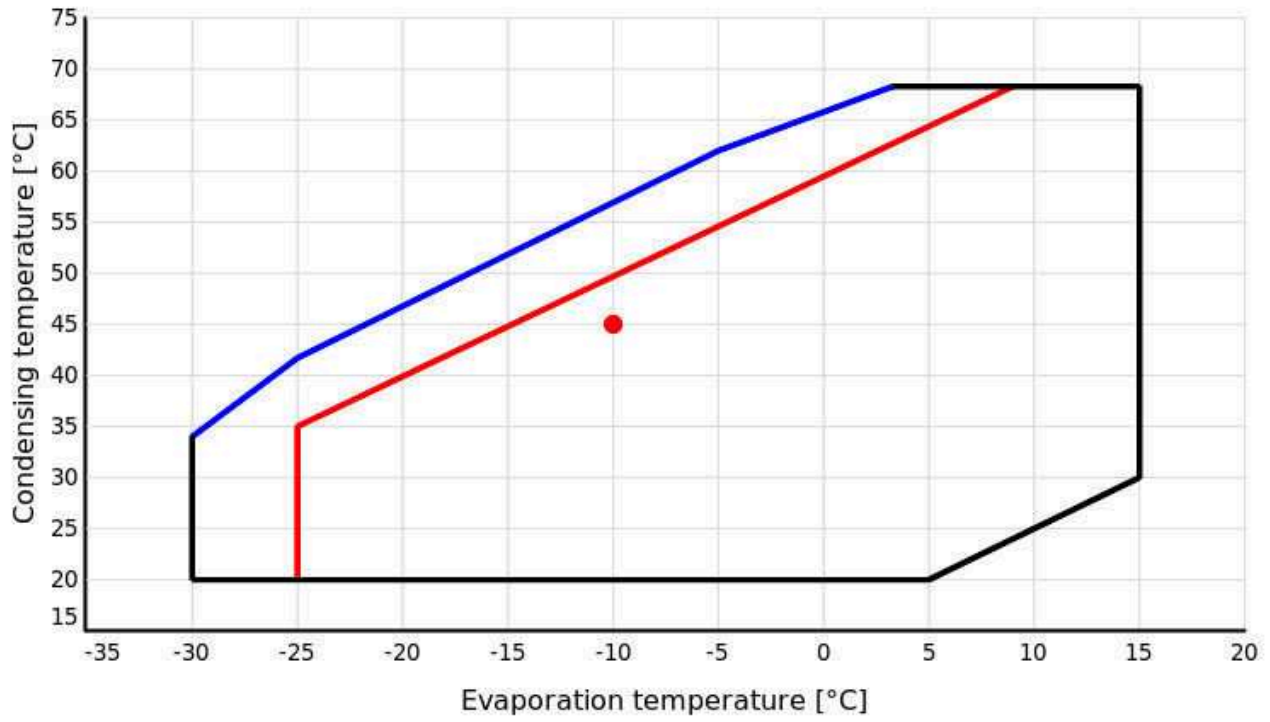
		Evaporation temperature [°C]									
		-30	-25	-20	-15	-10	-5	0	5	10	15
Condensation temperature [°C]	20	18.75	23.55	29.22	35.87	43.63	52.61	62.92	74.69		
	25	17.43	22.17	27.72	34.20	41.71	50.38	60.33	71.66	84.51	
	30	16.12	20.78	26.18	32.45	39.69	48.02	57.56	68.44	80.75	94.64
	35		19.35	24.58	30.60	37.54	45.50	54.61	64.99	76.75	90.01
	40		17.87	22.89	28.64	35.24	42.81	51.46	61.32	72.49	85.10
	45			21.10	26.55	<b>32.79</b>	39.93	48.09	57.39	67.94	79.87
	50				24.31	30.15	36.83	44.47	53.19	63.09	74.31
	55					27.32	33.51	40.60	48.70	57.93	68.40
	60						29.94	36.45	43.91	52.42	62.13
	65								38.79	46.57	55.47

### Power consumption

		Evaporation temperature [°C]									
		-30	-25	-20	-15	-10	-5	0	5	10	15
Condensation temperature [°C]	20	8.52	8.59	8.64	8.68	8.74	8.82	8.96	9.16		
	25	9.49	9.58	9.64	9.68	9.73	9.80	9.91	10.07	10.30	
	30	10.55	10.66	10.74	10.79	10.83	10.89	10.97	11.10	11.29	11.56
	35		11.86	11.95	12.02	12.06	12.11	12.17	12.27	12.43	12.65
	40		13.18	13.30	13.38	13.44	13.48	13.53	13.61	13.73	13.90
	45			14.80	14.90	<b>14.97</b>	15.02	15.06	15.12	15.21	15.34
	50				16.59	16.68	16.73	16.77	16.82	16.88	16.99
	55					18.57	18.64	18.69	18.72	18.77	18.85
	60						20.77	20.82	20.85	20.89	20.95
	65								23.22	23.25	23.29



Application range



Legend

- Suction gas superheating: 5 K
- Suction gas superheating: 30 K

**Dimensions**

